

Compact Rope Pull Emergency Stop Switch

- Compact size allows this switch to be used on smaller machines with a mounting width of 40 mm (1.57 in.) and covering rope spans up to 40 m (131 ft.)
- Tension indicator makes system setup and rop tension maintenance easy
- Contact arrangements of 2 N/C + 1 N/O or 3 N/C
- IP67 (NEMA 6) enclosure enables the ER5018 switch to withstand water washdown cleaning
- Heavy-duty housing—the die-cast housing and stainless steel eye nut makes the ER5018 suitable for demanding industrial applications
- Integral E-Stop—the optional E-stop provides emergency stopping at the extreme end of the installation
- Reset button—the blue reset button must be pushed in order to return to “machine run” condition following switch actuation by a pulled or slacked rope
- Vibration tolerant—the snap-acting switch contacts protect against nuisance tripping due to vibration
- Rubber bellows contain UV inhibitor making the switches suitable for outdoor applications



Conforms to IEC947-5-1, IEC947-5-5, EN418, UL508, BS5304
UL and C-UL listed, TUV certified

G

Specifications

| Electrical | All Models |
|-----------------------------------|--|
| Contact Configurations: | 2 N/C + 1 N/O, 3 N/C |
| Safety Contacts: | 2 N/C, 3 N/C |
| Switching Ability | AC: 120 V–6 A, 240 V–3 A, Inductive DC: 24 V–2.5 A, Inductive |
| Auxiliary Contacts: | 1 N/O |
| Max Switching Current/Volt/Amp: | 240 V/720 VA |
| Minimum Current: | 5 V 5 mA DC |
| Electrical Life: | 1 x 10 ⁶ minimum |
| Mechanical | |
| Mounting: | Any position |
| Mounting Hardware: | 2 x M5 screws |
| Max Rope Span: | 40 m (131 ft.) |
| Operation Force: | < 125 N (28 lb.) |
| Tensioning Force to Run Position: | 130 N (23 lb.) typical |
| Case Material: | Die-cast aluminum alloy |
| Eye Nut Material: | Stainless steel |
| Wiring Entry: | 3 x M20 or 3 x 0.5 in. NPT |
| Weight: | 675 g (23.8 oz.) |
| Color: | Yellow |
| Mechanical Life: | 1 x 10 ⁶ minimum |
| Environmental | |
| Protection: | IP67 (NEMA 6) |
| Operating Temperature: | -25 to 80°C (-13 to 176°F) |
| Cleaning: | Water washdown |
| Compliance | |
| Standards: | IEC947-5-1, IEC947-5-5, EN418, UL508, BS5304 |
| Approvals/Listings: | CE marked for all applicable directives, UL and C-UL, TUV |

Specifications are subject to change without notice.

Note: The safety contacts of the Omron STI switches are described as normally closed (N/C)—i.e., with the rope properly tensioned and the machine able to be started.

Operation



Blue Reset Knob

A blue reset button is provided to easily return the unit back to its machine-run position after actuation.



Emergency Push Button

The emergency push button may be installed or repositioned in the field. The ER5018 has two possible mounting positions for the emergency stop button.

Installation Hardware Available



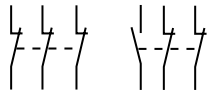
RK Rope Tension Kit

The RK Rope Tension Kit comes with all of the required hardware for most installations. A spring is required as shown in the installation example below.

Installation Hardware

Individual hardware items may be purchased for specific installation requirements.

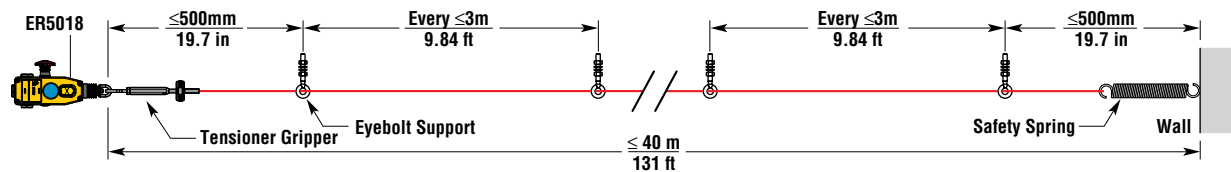
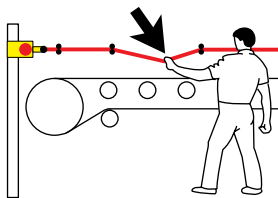
Contact Arrangements



| | 0 mm 0 in | 3.5 0.14 | 14.5 0.57 | 17.0 0.67 |
|---------------------------|-------------------|----------------------|--------------------|--------------|
| 2NC + 1NO Versions | Rope Slack | Tension Range | Rope Pulled | |
| 11/12 | | | | |
| 21/22 | | | | |
| 33/34 | | | | |
| 3NC Versions | Rope Slack | Tension Range | Rope Pulled | |
| 11/12 | | | | |
| 21/22 | | | | |
| 31/32 | | | | |

Contact Open Contact Closed

Mounting Specification



Note: Some installations may require a ER5018 on each end.

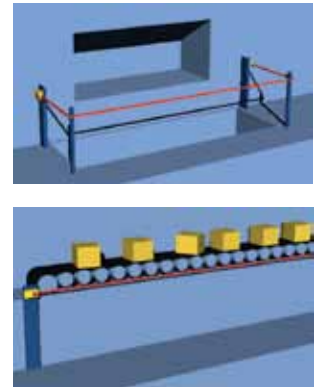
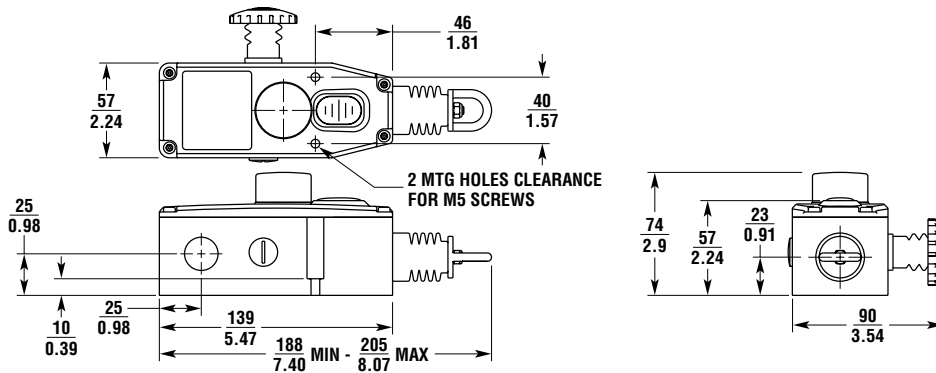
For a guide to installing, see "Proper Installation of Rope or Wire Pull Switches" in The Safety Library Section of this catalog on page A77.

Dimensions

(mm/in.)

Applications

Typical applications are on conveyor systems and across rotating machinery, and around hazardous areas.



Ordering

G

| Model | E-Stop | Contacts | Wiring Entry | Part No. |
|--------------|--------------|---------------|-----------------|------------|
| ER5018-021M | Not included | 2 N/C + 1 N/O | 3 x M20 | 44506-4010 |
| ER5018-021N | Not included | 2 N/C + 1 N/O | 3 x 1/2 in. NPT | 44506-4020 |
| ER5018-030M | Not included | 3 N/C | 3 x M20 | 44506-4030 |
| ER5018-030N | Not included | 3 N/C | 3 x 1/2 in. NPT | 44506-4040 |
| ER5018-021ME | Included | 2 N/C + 1 N/O | 3 x M20 | 44506-4110 |
| ER5018-021NE | Included | 2 N/C + 1 N/O | 3 x 1/2 in. NPT | 44506-4120 |
| ER5018-030ME | Included | 3 N/C | 3 x M20 | 44506-4130 |
| ER5018-030NE | Included | 3 N/C | 3 x 1/2 in. NPT | 44506-4140 |

| Accessories | Part No. |
|--------------------------------------|------------|
| SM06-SL400, Replacement Lid | 44506-3700 |
| RK5, 5 m Rope Kit, Stainless Steel | 44506-2705 |
| RK10, 10 m Rope Kit, Stainless Steel | 44506-2710 |
| RK15, 15 m Rope Kit, Stainless Steel | 44506-2715 |
| RK20, 20 m Rope Kit, Stainless Steel | 44506-2720 |
| RK30, 30 m Rope Kit, Stainless Steel | 44506-2730 |
| RK50, 50 m Rope Kit, Stainless Steel | 44506-2750 |
| R5M, 5 m Rope Only | 44506-3705 |
| R10M, 10 m Rope Only | 44506-3710 |
| R20M, 20 m Rope Only | 44506-3720 |
| R30M, 30 m Rope Only | 44506-3730 |
| R50M, 50 m Rope Only | 44506-3750 |
| R80M, 80 m Rope Only | 44506-3780 |
| R100M, 100 m Rope Only | 44506-3711 |
| R126M, 126 m Rope Only | 44506-3726 |

| Accessories | Part No. |
|--|------------|
| SM06-TK00, Tensioner Kit (Turnbuckle, 8 Rope Grips & 4 Thimbles) | 44506-0700 |
| SM06-TG00, Tensioner Gripper, Stainless Steel | 44506-4700 |
| SM06-EB10, Eye Bolt, Stainless Steel, 8 per pack | 44506-4710 |
| SM06-EB20, Eye Bolt, Stainless Steel, 8 per pack | 44506-0720 |
| SM06-DL20, Double Loop Clip, Stainless Steel, 4 per pack | 44506-4720 |
| SM06-DL21, Double Loop Clip, Galvanized, 4 per pack | 44506-4721 |
| SM06-THSS, Thimble, Stainless Steel, 4 per pack | 44506-4770 |
| SM06-THGV, Thimble, Galvanized, 4 per pack | 44506-4771 |
| SM06-TB30, Turnbuckle, Stainless Steel | 44506-4730 |
| SM06-TB31, Turnbuckle, Galvanized | 44506-4731 |
| SM06-SP30, Spring, Galvanized | 44506-0730 |
| SM06-SP50, Spring, Stainless Steel | 44506-4750 |
| SM06-RPSS, Rope Pulley, Stainless Steel | 44506-4780 |
| SM06-ES60, E-Stop Mechanism | 44506-4760 |

= Highlighted **Rapid Delivery** products are available for shipment today or within **FIVE** days.